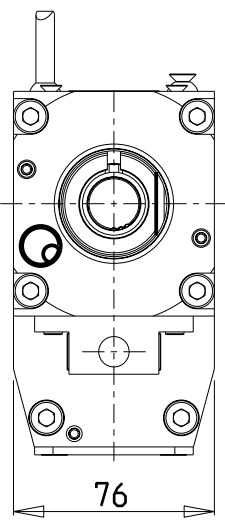
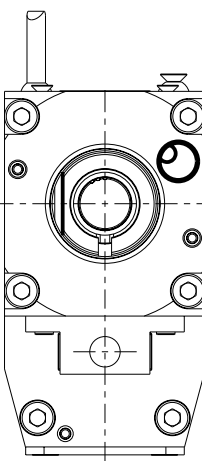


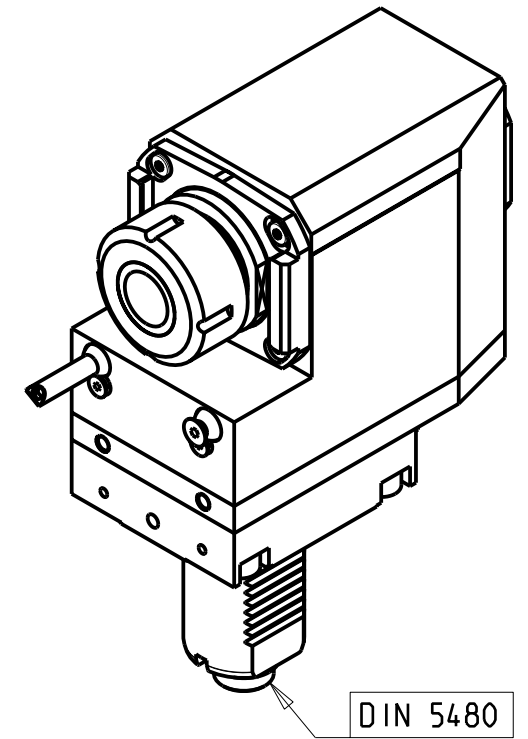
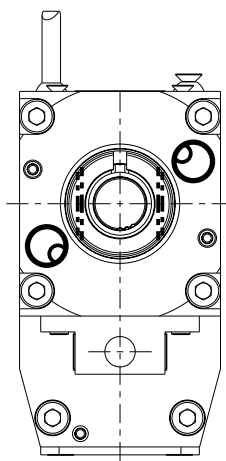
versione dx
right version
version rechts



versione sx
left version
version links



versione universale
universal version
universal version

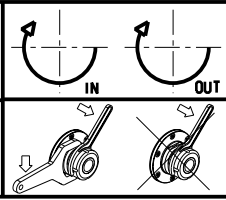


Cod. MT			Mandrino Spindle Spindel	I	RPM	Coppia Max Max Torque Max Drehmoment	Lubrificazione int. Coolant through Innenkuehlung	Lubrificazione est. Ext. coolant Aussenkuehlung	A	B	CHIAVI NON INCLUDE Keys not included Schluessel nicht einbegriffen	
versione dx right version version rechts	versione sx left version version links	versione universale universal version universal version										
SAU0150125	SAU0151125	SAU0152125	ER25	1:1	6000	70Nm	-	X	42.66	95	CHSTER25	MNZ0410005 ▪
SAU0150225	SAU0151225	SAU0152225	ER25	1:1	6000	70Nm	P=70bar	X	42.66	108.5	CHSTER25	MNZ0410005 ▪
SAU0150132	SAU0151132	SAU0152132	ER32	1:1	6000	70Nm	-	X	45.66	95	CHSTER32	MNZ0410005 ▪
SAU0150232	SAU0151232	SAU0152232	ER32	1:1	6000	70Nm	P=70bar	X	45.66	108.5	CHSTER32	MNZ0410005 ▪

- Chiave inclusa
- Key included
- Schluessel inbegriffen

SAUTER
VDI 40

MODULO MOTORIZZATO RADIALE ARRETRATO VDI40 DIN 5480 H=100mm
Radial rear-set driven tool VDI40 DIN 5480 H=100mm
Radial angetriebenes Werkzeug zurueckversetzt VDI40 DIN 5480 H=100mm



M.T. srl
Via Casino Albini 480
Tel. 0541/956034-957884
Fax 0541/956341
47842 S. GIOVANNI IN M. (RN)
e-mail: mtma@mtmarchetti.com
http://www.mtmarchetti.com

PRODUZIONE MODULI ROTANTI



PAGINA SAU018-3-70

Subject to change without notice.