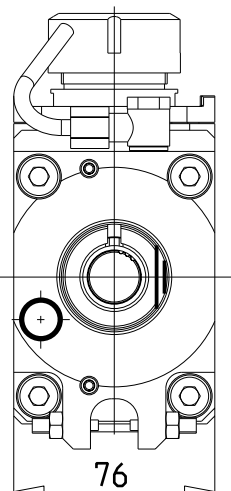
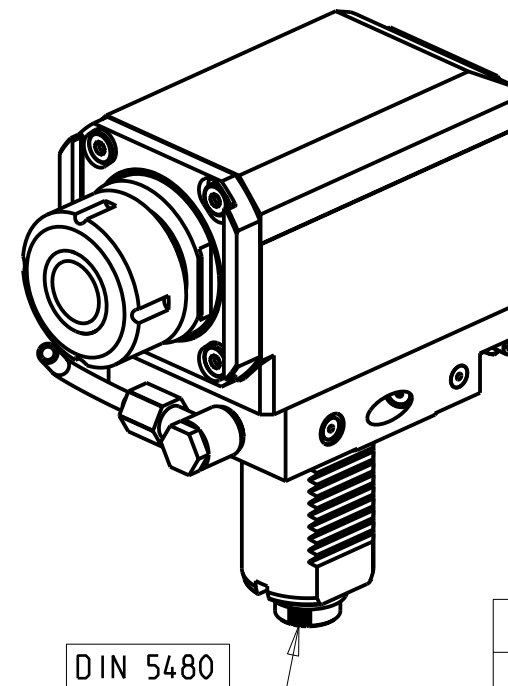
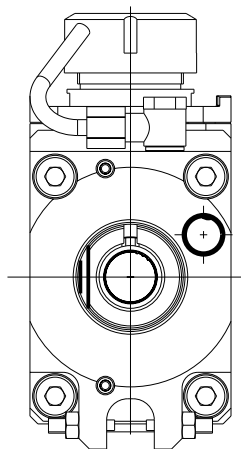


versione dx
right version
version rechts



versione sx
left version
version links



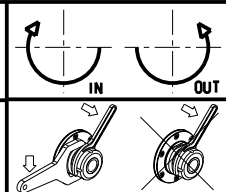
- Chiave inclusa
- Key included
- Schlüssel inbegriffen

Cod. MT		Mandrino Spindle Spindel	I	RPM	Coppia Max Max Torque Max Drehmoment	Lubrificazione int. Coolant through Innenkuehlung	Lubrificazione est. Exl. coolant Aussenkuehlung	A	A1	B	D	L	CHIAVI NON INCLUDE Keys not included Schlüssel nicht einbegriffen	
versione dx right version version rechts	versione sx left version version links													
SAU0840132	SAU0841132	ER32	1:1	6000	70Nm	-	X	99.7	-	58.5	-	-	OKU0650004	CHSTER32
SAU0840232	SAU0841232	ER32	1:1	6000	70Nm	P=70bar	X	99.7	-	69.5	-	-	OKU0650004	CHSTER32
SAU0840140	SAU0841140	ER40	1:1	6000	70Nm	-	X	103.7	-	58.5	-	-	OKU0650004	CHSTER40
SAU0840240	SAU0841240	ER40	1:1	6000	70Nm	P=70bar	X	103.7	-	69.5	-	-	OKU0650004	CHSTER40
215SAU_R22_40D00	215SAU_R22_40D10	Ø22x19	1:1	6000	70Nm	-	X	-	78.5	58.5	22	19	CHUB41	CH_VTCROCE_M10
215SAU_R27_40D00	215SAU_R27_40D10	Ø27x21	1:1	6000	70Nm	-	X	-	78.5	58.5	27	21	CHUB41	CH_VTCROCE_M12

SAUTER
VDI 40

MODULO MOTORIZZATO RADIALE VDI40 DIN 5480 H=70mm
Radial driven tool VDI40 DIN 5480 H=70mm
Radial angetriebenes Werkzeug VDI40 DIN 5480 H=70mm

Subject to change without notice.



M.T. srl
Via Casino Albini 480
Tel. 0541/956034-957884
Fax 0541/956341
47842 S. GIOVANNI IN M. (RN)
e-mail: mtma@tmarchetti.com
http://www.mtmarchetti.com

PRODUZIONE MODULI ROTANTI



PAGINA SAU018-3-00