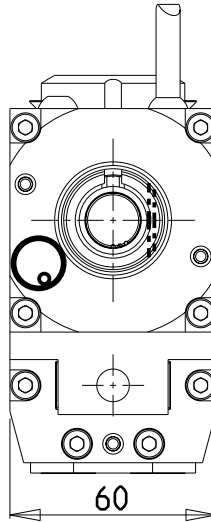
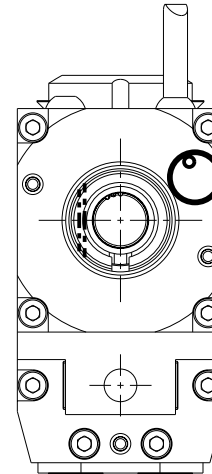


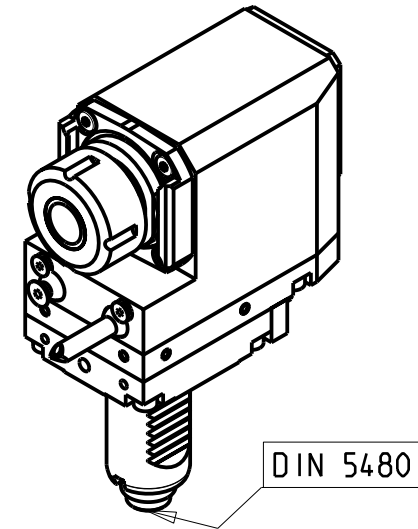
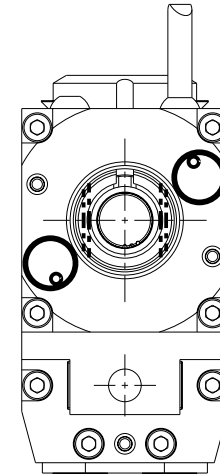
versione dx
right version
version rechts



versione sx
left version
version links



versione universale
universal version
universal version



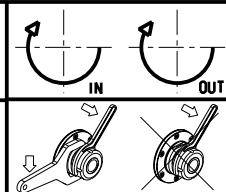
- Chiave inclusa
- Key included
- Schluessel inbegriffen

Cod. MT			Mandrino Spindle Spindel	I	RPM	Coppia Max Max Torque Max Drehmoment	Lubrificazione int. Coolant through Innenkuehlung	Lubrificazione est. Ext. coolant Aussenkuehlung	A1	A2	B	CHIAVI NON INCLUDE Keys not included Schluessel nicht einbegriffen			
versione dx right version version rechts	versione sx left version version links	versione universale universal version universal version													
SAU0090120	SAU0091120	SAU0092120	ER20	1:1	6000	32Nm	-	X	41.16	-	73.5	-	CHSTER20	OKU0290009	•
SAU0090320	SAU0091320	SAU0092320	ERA20	1:1	6000	32Nm	-	X	24.5	-	73.5	CHUB22	CHTAER20ZC	•	OKU0290009
SAU0090420	SAU0091420	SAU0092420	ERA20	1:1	6000	32Nm	P=70bar	X	24.5	-	83.5	CHUB22	CHTAER20ZC	•	OKU0290009
SAU0090125	SAU0091125	SAU0092125	ER25	1:1	6000	32Nm	-	X	42.16	-	73.5	-	CHSTER25	OKU0290009	•
SAU0090225	SAU0091225	SAU0092225	ER25	1:1	6000	32Nm	P=70bar	X	42.16	-	83.5	-	CHSTER25	OKU0290009	•
SAU0090325	SAU0091325	SAU0092325	ERA25	1:1	6000	32Nm	-	X	28.5	-	73.5	CHUB27	CHTAER25ZC	•	OKU0290009
SAU0090425	SAU0091425	SAU0092425	ERA25	1:1	6000	32Nm	P=70bar	X	28.5	-	83.5	CHUB27	CHTAER25ZC	•	OKU0290009
SAU0090516	SAU0091516	SAU0092516	WELDON16	1:1	6000	32Nm	-	X	-	27.5	73.5	-	-	-	-

SAUTER
VDI 30

MODULO MOTORIZZATO RADIALE ARRETRATO VDI30 DIN 5480 H=75mm
Radial rear-set driven tool VDI30 DIN 5480 H=75mm
Radial angetriebenes Werkzeug zurueckversetzt VDI30 DIN 5480 H=75mm

Subject to change without notice.



M.T. srl
Via Casino Albini 480
Tel. 0541/956034-957884
Fax 0541/956341
47842 S. GIOVANNI IN M. (RN)
e-mail: mtma@tmarchetti.com
http://www.tmmarchetti.com

PRODUZIONE MODULI ROTANTI



PAGINA SAU018-2-60