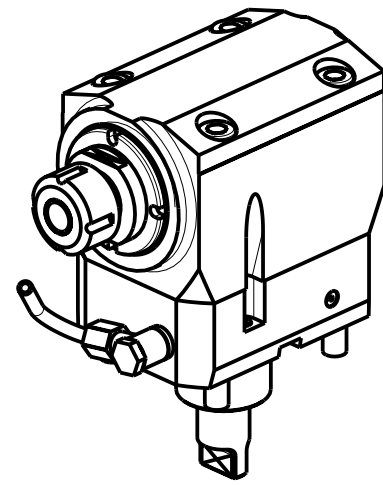


ATTENZIONE - ATTENTION - ACHTUNG

- Per lo smontaggio degli utensili utilizzare sempre la chiave di contrasto come indicato nel manuale d'uso.
- For disassembly of the tools use always the contrast key as mentioned in the user instructions.
- Fuer das Abmontieren der Werkzeuge immer den Gegenschlüssel benutzen wie in der Bedienungsanleitung erwaeht.

- Chiave inclusa
- Key included
- Schlüssel inbegriffen



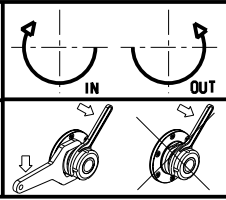
Cod. MT	Cod. MORI-SEIKI	Mandrino Spindle Spindel	I	RPM	Coppia Max Max Torque Max Drehmoment	Reversibile lato mandrino/contromandrino Reversible sub/main spindle side Umkehrbare Spindel-seite/ Gegenspindel-seite	Lubr.interna Coolant through Innenkuehlung	Lubr.esterna Ext. coolant Aussenkuehlung	A	A1	B	D	L	CHIAVI NON INCLUDE Keys not included Schluessel nicht einbegriffen	
MNZ0010120	T32255	ER20	1:1	6000	40Nm	X		X	98.16	-	61	-	-	CHUB36	CHSTER20
MNZ0010125	T32275	ER25	1:1	6000	40Nm	X		X	99.16	-	61	-	-	CHUB36	CHSTER25
MNZ0010132		ER32	1:1	6000	40Nm	X		X	102.16	-	61	-	-	CHUB36	CHSTER32
MNZ0010225		ER25	1:1	6000	40Nm	X	P=70bar	X	99.16	-	71	-	-	CHUB36	CHSTER25
MNZ0010232		ER32	1:1	6000	40Nm	X	P=70bar	X	102.76	-	71	-	-	CHUB36	CHSTER32
MNZ0011617		Ø16x17	1:1	6000	40Nm	X		X	-	76.5	61	16	17	CHUB36	CH_VTCROCE_M08 •
MNZ0012219		Ø22x19	1:1	6000	40Nm	X		X	-	78.5	61	22	19	CHUB36	CH_VTCROCE_M10 •
MNZ0012721		Ø27x21	1:1	6000	40Nm	X		X	-	79.5	61	27	21	CHUB36	CH_VTCROCE_M12 •
MNZ0011919		Ø3/4"x3/4"	1:1	6000	40Nm	X		X	-	77	61	3/4"	3/4"	CHUB36	CH_VTCROCE_M08 •

DMG-MORI

NZ1500/2000 - NZX1500/2000 - NZX2500 (BMT40) - NT3000 SERIE - NL1500/2000/2500 20 STAZ. - NLX1500/2000/2500 20 STAZ. - NT1000/2000 NTX1000/2000 - NTX1000/2000/2500/3000 2ND GEN. 12ST. - DURATURN 2050MC/2550MC - NRX2000 - ALX1500/2000/2500 - ECOTURN 450 (BMT40)

MODULO MOTORIZZATO ASSIALE H=85mm
Axial driven tool H=85mm
Axial angetriebenes Werkzeug H=85mm

Subject to change without notice.



M.T. srl
Via Casino Albini 480
Tel. 0541/956034-957884
Fax 0541/956341
47842 S. GIOVANNI IN M. (RN)
e-mail: mtma@mtmarchetti.com
http://www.mtmarchetti.com

PRODUZIONE MODULI ROTANTI



PAGINA MNZ150-1-10